

MODEL PL60 UNDER SPEED SWITCH



Model PL-60



The **Model PL60 Under Speed Switch** is used for accurate sensing of Under Speed and Zero Speed conditions on rotating shafts, pulleys or other rotating equipment within your plant. This system will protect your valuable machinery from costly downtime, inform you of current operating conditions and provide you with an alarm if there is any variation from your user supplied operating parameters. It will help you increase production reduce downtime and provide you with vital information to the operation of your plant.

Unique Features:

- Non-contacting, proximity-type detector provides extended service life and lower operating costs.
- Two bolt mounting for simple installation.
- Single piece construction, no separate control unit.
- Easy to set-up and troubleshoot.
- Start-up delay
- Alarm output notification for when speed drops below user supplied set-point.
- Analog output allows you to send linear speed signal to control system.

PROVIDING BELT DAMAGE, ZERO/UNDER SPEED DETECTION, GIVING YOU PEACE OF MIND.

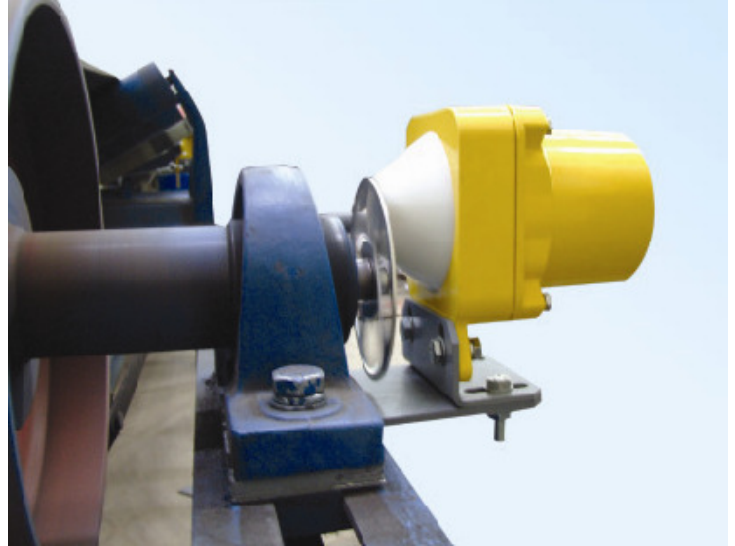
The **Model PL60 Under Speed Switch** provides a low cost, reliable and simple means of monitoring the rotational velocity of a shaft or other pieces of rotating equipment in your plant. When the shaft or other piece of rotating equipment slows down past the user defined set-point, the PL60 sends an alarm output signal to the control system for notification or the motor starter to shut the equipment down. In conjunction with the alarm output the PL60 comes standard with an analog output which allows you to send a linear signal to your control system allowing you to display your real time rotational speed.

The PL60 Under Speed Switch is housed in a heavy duty, weatherproof, hermetically sealed, anti-corrosive die cast aluminum enclosure. It is designed to perform in the harshest environments.

SPECIFICATIONS

Model PL60 Specifications:

- Voltage: 85-265 VAC, 50/60 Hz
- Enclosure: Yellow Die Cast Aluminum
- Rating: NEMA-4X, IP-66/67
- Finish: Yellow epoxy based powder paint
- Sensing Face: Nylon
- Working Temp: -13° F to 158° F (-25° C to 70° C)
- Outputs: Alarm Contact, 0.4A @ 125 VAC
Relay Type
Analog Output, 4-20mA, 800
Ohms Max
- Range of Operation: 4-3000 Pulses/Minute
- Start-Up Delay: 10 Seconds
- Alarm Delay: 5 Seconds

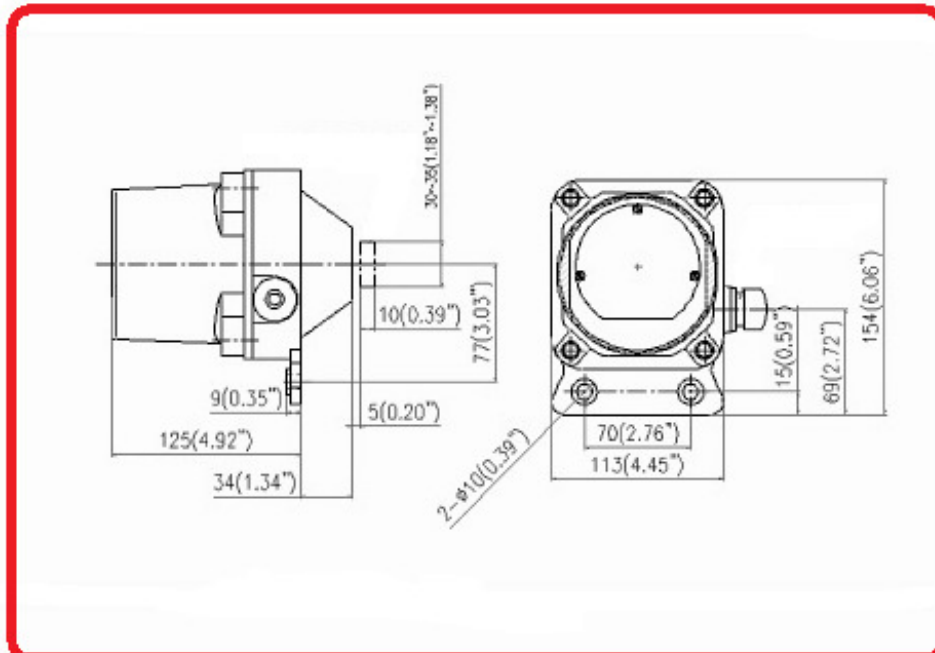


Typical Applications:

- Bucket Elevator Shafts
- Rotary Valve Shafts
- Screw Conveyor Shafts
- Conveyor Belt Pulleys
- Belt Feeders
- Drag Chain Conveyors

Outline Dimensions

All Dimensions in Millimeters (Inches)



P.O. Box 337 P: 905-888-0063 F: 905-888-6381
14 Gormley Industrial Ave. Unit #5
Gormley, Ontario L0H-1G0 Canada
E-Mail: sales@aciltld.ca Website: WWW.ACILTLD.CA

Doc 1045 Rev A