

Bourdon Tube Pressure Gauges Stainless Steel Series Model 131.11

WIKA Data Sheet PM 01.05

Applications

- Suitable for corrosive environments and gaseous or liquid media that will not obstruct the pressure system
- CDA (Clean Dry Air) applications
- Indication of failure alarm on gas bottles
- Mechanical engineering and plant construction

Special Features

- All stainless steel construction
- Cost effective and reliable
- Compatible with alarm contacts (50 mm)
- Scale ranges up to 0 ... 1000 bar



Bourdon Tube Pressure Gauge Model 131.11

Description

Design
EN 837-1

Nominal size
40, 50 and 63 mm

Accuracy class
2.5

Scale ranges
40 and 50 mm: 0 ... 1 to 0 ... 600 bar
63 mm: 0 ... 1 to 0 ... 1000 bar
or other equivalent units of pressure or vacuum

Working pressure

Steady: $\frac{3}{4}$ of full scale value
Fluctuating: $\frac{2}{3}$ of full scale value
Short time: full scale value

Operating temperature

Ambient: -40 ... +60 °C
Medium: +100 °C maximum

Temperature effect

When temperature of the pressure element deviates from reference temperature (+20 °C):
max. ± 0.4 %/10 K of true scale value

Standard features

Pressure connection

Material: stainless steel
Lower mount (LM) or centre back mount (CBM)
G ¼ B (male), 14 mm flats

Pressure element

Material: stainless steel
< 100 bar: C-type
≥ 100 bar: helical type

Movement

Stainless steel

Dial

White aluminium with black lettering, with pointer stop pin

Pointer

Black aluminium

Case

Natural finish stainless steel

Window

Polycarbonate, snap-fit window

Special versions

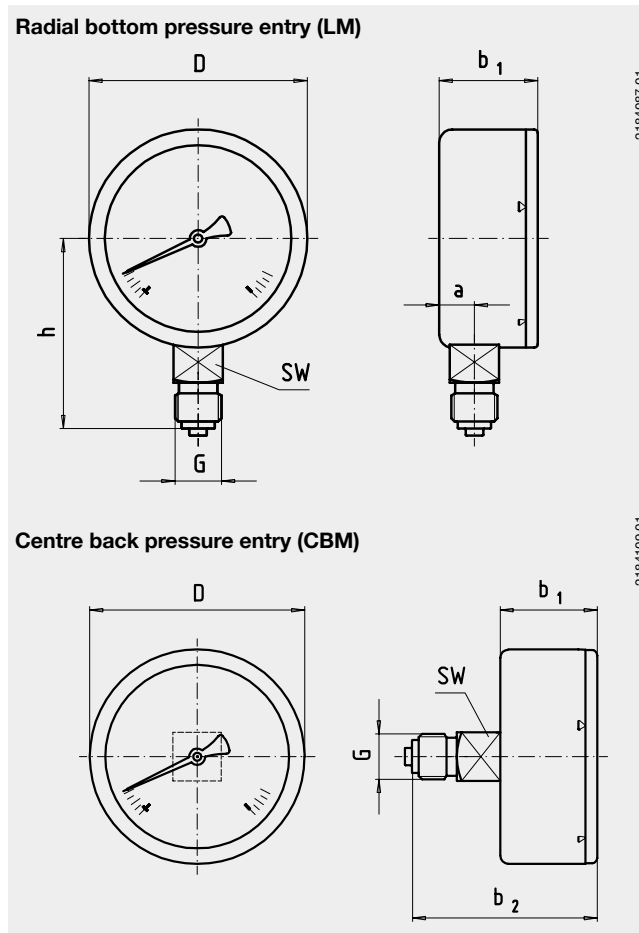
Ammonia gauges (63 mm)

Scale in °C for refrigerant R 717 (NH₃),
Pressure ranges: -1 ... 0 ... 15 bar or -1 ... 0 ... 26 bar

Optional extras

- Other pressure connection
- Slip-on bezel with instrument glass window
- 3-hole panel mounting flange, stainless steel
- 3-hole surface mounting flange, stainless steel (63 mm only)
- Alarm contacts (50 mm, see data sheet SP 01.03)

Standard version



Dimensions in mm

NS	Dimensions in mm							Weight in kg
	a	b ₁	b ₂ ± 1	D	G	h ± 1	SW	
40	9	25	52.5	39	G ¼ B	39	14	0.05
50	9.6	27	53.5	49	G ¼ B	47	14	0.09
63	10	28	53.5	62	G ¼ B	54	14	0.12

Standard pressure entry with parallel thread and sealing to EN 837-1 / 7.3

Ordering information

Pressure gauge model / Nominal size / Scale range / Size and location of connection / Optional extras required

Modifications may take place and materials specified may be replaced by others without prior notice.
Specifications and dimensions given in this leaflet represent the state of engineering at the time of printing.

